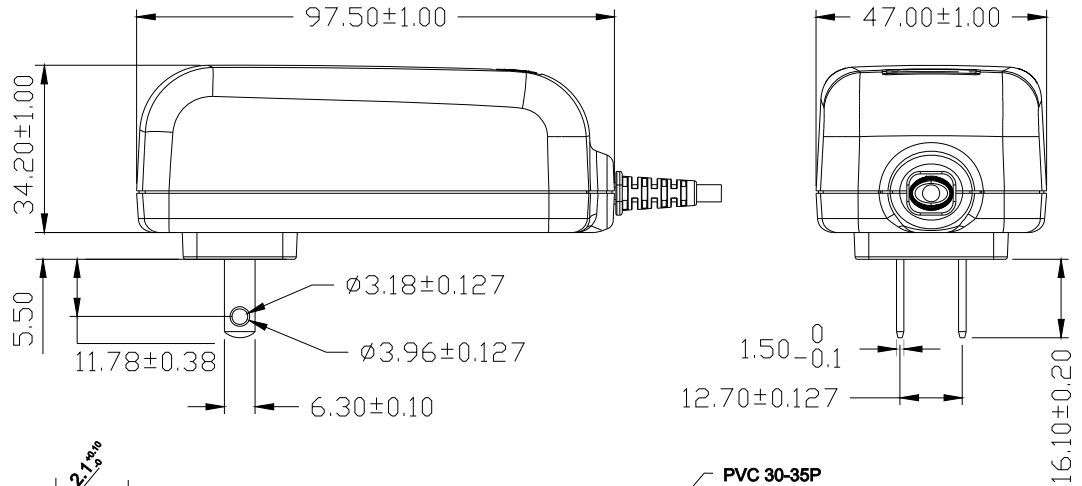



  
**UL** US
   
**LISTED**
  
**E215890**

**NOTE:**

- 1) Level VI Efficiency Switching Power Supply
- 2) Case cover & chassis material: PC/SE-1, BLACK (NO KTEC)
- 3) AC PIN MATERIAL: BRASS (Ni PLATED)
- 4) RoHS



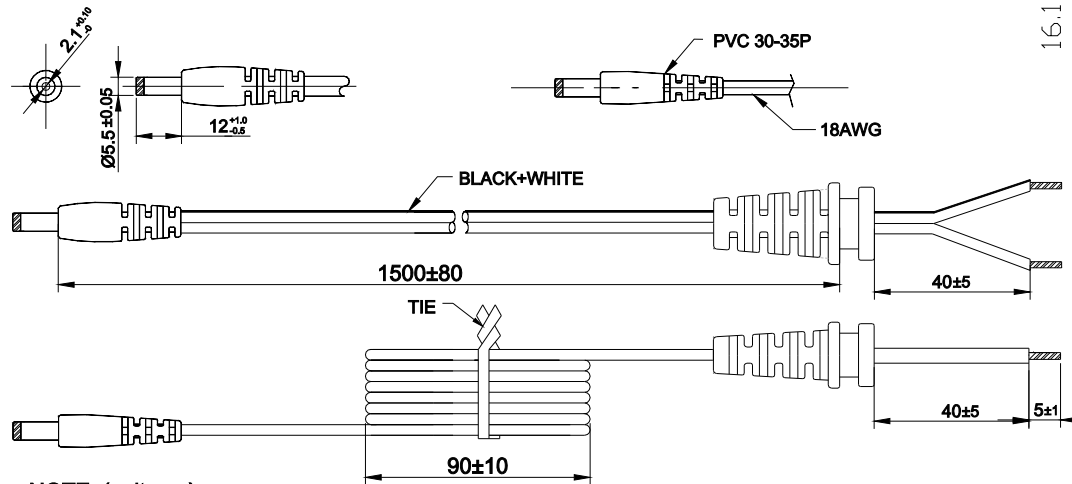
**Electrical Specification**

**Input:**

Rate Input Voltage: 100-240VAC  
 Operating Range: 90-264VAC  
 Rated Input Current: 1A Max.@Full load&115VAC Input  
 Rated Input Frequency: 50/60Hz ± 3Hz  
 Maximum Input Power: 36.32W  
 Power Cons. (No Load): Max. 0.1W


**Output:**

Voltage: 12VDC  
 Minimum load current: 0.0A  
 Rating load current: 2.5A  
 Rating output power: 30W



Dimensions: 97.5 x 47 x 34.2 mm  
 Weight: 165 g (Max.)  
 Operating Temperature: 0°C ~ 40°C  
 Storage Temperature: -20°C ~ 80°C  
 Operating Humidity: 5% ~ 90% (Non Condensing)

**NOTE: (unit:mm)**

- 1).WIRE TYPE: VW-1 80°C 300V L=1500mm 2468 18AWG 2C BLACK+WHITE  
 BLACK AND WHITE—Positive BLACK—Negative
- 2).THE POLARITY: 
- 3).ROHS

<b>TITLE SWITCHING POWER SUPPLY</b>		<b>SCALE</b>
<b>12VDC / 2.5A</b>		<b>NTS</b>
<b>DRAWING NO.</b>	<b>68-1225PS</b>	
		<b>UNITS mm</b>
<b>FILE NAME</b>	<b>68-1225PS.pdf</b>	<b>SHEET 1/1</b>



**Mode Electronics Part Number 68-1225PS-1**